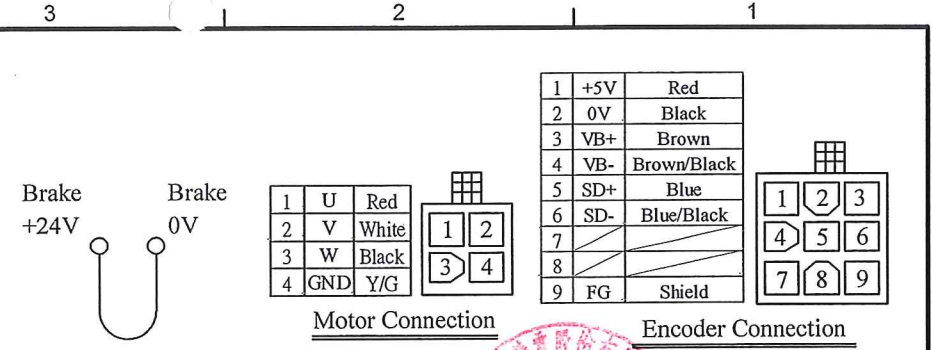
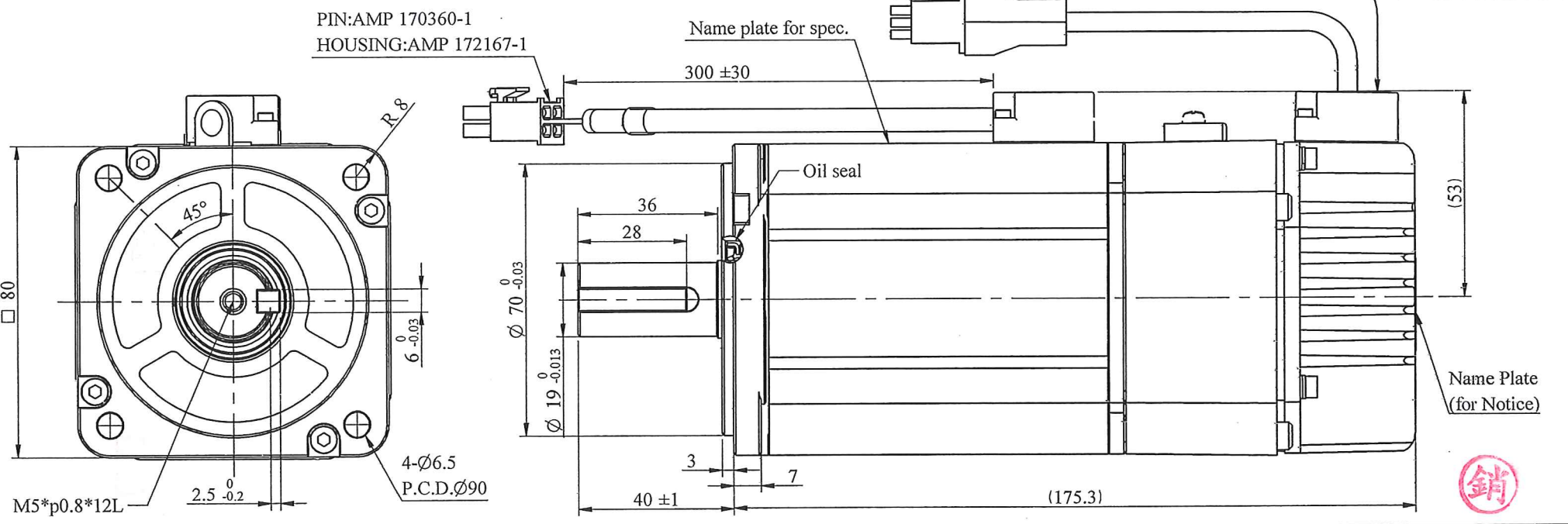


No.	Item	Symbol	Unit	Specification	No.	Item	Symbol	Unit	Specification
1	Drive	-	-	3 ϕ 220VAC	13	Rotor Inertia	J-M	kg-cm ²	1.64 \pm 10%
2	Cooling Method	-	-	Totally Enclosed	14	Rated Power Rate	Q-R	Kw/s	34.74
3	Exciting Method	-	-	Permanent Magnet	15	Resistance	Ra	Ω	1.48 \pm 10%/2 ϕ
4	Resolution	-	-	23 bit ABS	16	Inductance	L	mH	10.1 \pm 10%/2 ϕ
5	Rated Output	P-R	KW	0.75	17	Mech. Time Constant	Tm	ms	1.05 \pm 10%
6	Rated Torque	T-R	N-m	2.39	18	Elect. Time Constant	Te	ms	6.82 \pm 10%
7	Max. Torque	T-max	N-m	7.16	19	Insulation Class	-	-	Class F
8	Rated Speed	N-R	rpm	3000	20	Operation Temp.	T	$^{\circ}$ C	0~40
9	Rated Current	I-R	A	4.3	21	Operation Humd.	RH	%	<80
10	Max. Current	I-max	A	14.0	22	Storage Temp.	T	$^{\circ}$ C	-20~-60 $^{\circ}$
11	Torque Constant	Kt	N-m/A	0.56 \pm 10%	23	Storage Humd.	RH	%	<80
12	Ke constant	Ke	V/Krpm	37.3 \pm 10%/2 ϕ	24	Weight	W	kgw	4.1



Note:
 1. Motor to be IP67.(excluding the shaft opening & connectors)
 2. The detail of Name plate for Spec. refers to the file DC-JXE-002.



STANDARD TOLERANCE		APVD	SCALE	2/3	UNIT	m m	NAME	Servo Motor Outline Drawing		
X	\pm 0.5	CHKD	3RD .A.P		TITLE		JSMA-PBC08AWAB			
.X	\pm 0.2	DWN	Chase		07-25-17		Dept. Design		DWG.NO.	D01E08751C3BR3C01
.XX	\pm 0.05	SIGNATURE		DATE		SIGNATURE		DATE		1
ANGLE	\pm 30'	MATERIAL		REV		DESCRIPTION		SIGNATURE		DATE